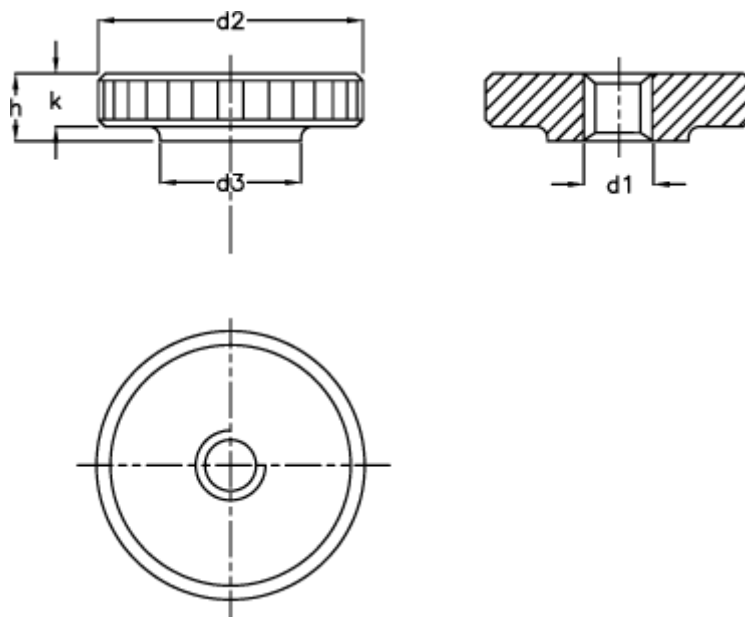


Article number: 20702511

Description: E+G flat knurled nut
DIN 467-M10

Measures



$d_1 = M10$

$d_2 = 36$

$d_3 = 20$

$h = 10$

$K = 8.0$